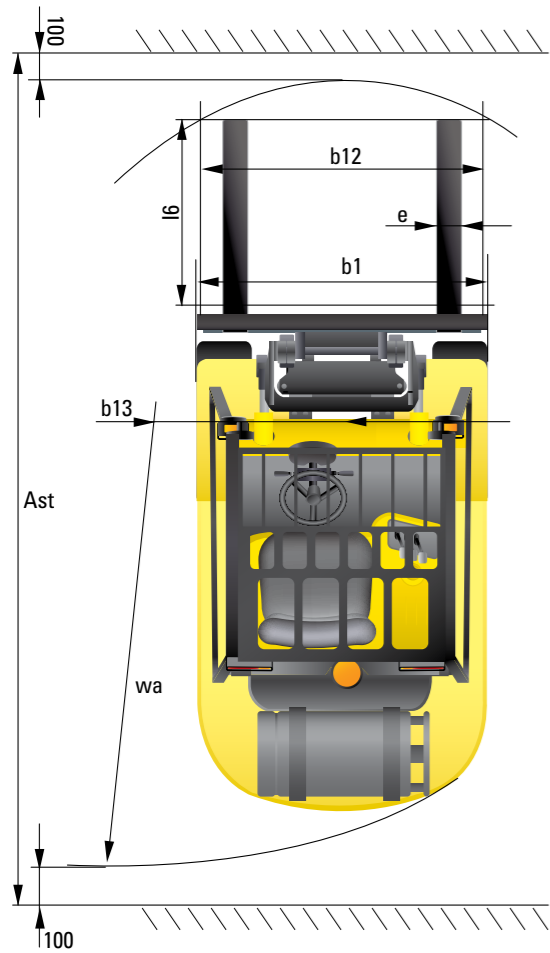
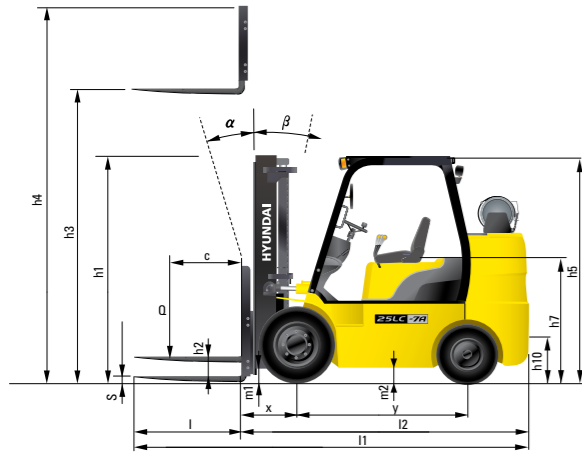


Dimension



Specification

Identification			
1.1	Manufacturer	Hyundai	Hyundai
1.2	Manufacturer's type designation	25LC-7A	30LC-7A
1.3	Drive: electric (battery or mains), diesel, petrol, fuel gas, manual	LP / Gas	LP / Gas
1.4	Type of operation: hand, pedestrian, standing, seated, order-picker	seated	seated
1.5	Load capacity / rated load	Q (kg)	2,500
1.6	Load center distance	c (mm)	500
1.8	Load distance, center of drive axle to fork	x (mm)	458
1.9	Wheelbase	y (mm)	1,410

Weights			
2.1	Service weight	kg	3,753
2.2	Axle loading, loaded front/rear	kg	5,502 / 751
2.3	Axle loading, unloaded front/rear	kg	1,353 / 2,400

Wheels, Chassis			
3.1	Tires: solid rubber, superplastic, pneumatic, polyurethane	Solid rubber	Solid rubber
3.2	Tires size, front (width x Φ)	21 x 7 x 15	21 x 8 x 15
3.3	Tires size, rear (width x Φ)	16 x 6 x 10 1/2	16 x 6 x 10 1/2
3.5	Wheels, number front x rear (x=driven wheels)	2 x 2	2 x 2
3.6	Track width, front	b10 (mm)	890
3.7	Track width, rear	b11 (mm)	910

Basic Dimensions			
4.1	Mast / fork carriage tilt forward / backward (α / β)	degrees	6 / 10
4.2	Lowered mast height	h1 (mm)	2,135
4.3	Free lift	h2 (mm)	115
4.4	Lift height	h3 (mm)	3,300
4.5	Extended mast height	h4 (mm)	4,485
4.7	Overhead load guard (cab) height	h5 (mm)	2,080
4.8	Seat height / standing height	h7 (mm)	1,040
4.12	Coupling height	h10 (mm)	225
4.19	Overall length	l1 (mm)	3,365
4.20	Length to face of forks	l2 (mm)	2,315
4.21	Overall width	b1 (mm)	1,110
4.22	Fork dimensions	s / e / l (mm)	1,050 x 100 x 45
4.23	Fork carriage ISO 2328, class / type A,B	II / A	III / A
4.24	Fork-carriage width	b12 (mm)	1,022
4.31	Ground clearance, loaded, under mast	m1 (mm)	90
4.32	Ground clearance, centre of wheelbase	m2 (mm)	115
4.33	Aisle width for pallets 1000x1200 crossways	Ast (mm)	3,710
4.34	Aisle width for pallets 800x1200 lengthways	Ast (mm)	3,910
4.35	Turning radius	Wa (mm)	2,129
4.36	Smallest pivot point distance	b13 (mm)	594

Performance Data			
5.1	Travel speed, Unloaded	km/h	16.0
5.2	Lift speed, Loaded / Unloaded	mm/s	600 / 610
5.3	Lowering speed, Loaded / Unloaded	mm/s	500 / 450
5.5	Drawbar pull, Loaded	kg	2,599
5.7	Gradient performance, Loaded	%	41.2
5.10	Service brake		Foot (Hydraulic)

Engine			
6.1	Engine manufacturer / type	HMC L4KB	HMC L4KB
6.2	Engine power acc. to ISO 1585	PS	60
6.3	Rated speed	1/min	2,300
6.4	No. of cylinder / cubic capacity	/cm ³	4 / 2,359

Other Details			
8.2	Type of drive control	Power Shift	Power Shift
8.3	Operating pressure	bar	220 / 165
8.4	Oil volume	l/min	30
8.5	Noise	db(A)	80



Some of the photos may include optional equipment.

HYUNDAI LPG / GASOLINE FORKLIFT TRUCKS **Applied Tier 4 Engine**

25LC/30LC-7A

25GC/30GC-7A

HYUNDAI
CONSTRUCTION EQUIPMENT

Head Office (Sales office)

First tower, 55, Bundang-ro, Bundang-gu, Seongnam-si, Gyeonggi-do, Korea

PLEASE CONTACT

www.hyundai-ce.com

2017. 08 Rev 5.

HYUNDAI
CONSTRUCTION EQUIPMENT

MOVING YOU FURTHER

NEW criteria of Forklift Trucks

Hyundai introduces a new line of 7A series
LPG / Gasoline forklift trucks.
Excellent power and performance make your
business more profitable.



OPSS (Operator Presence Sensing System)

Control of mast tilting, lifting and lowering is not possible through operation of the appropriate control when the operator is not in the seated position. (Option)

The new master on the job-site!

Smooth running, efficient and ergonomically designed, 25/30LC-7A, 25/30GC-7A series are made to meet your needs.

Powerful Engine HMC L4KB(2.4L) Engine

Market approved quality of HMC L4KB engine ensures incomparable performance, durability and additional value to the machine. Powerful and efficient engine provides excellent fuel economy and excellent torque for improved operation.(EPA/CARB Tier-IV Certified)



60PS/2,300rpm

Fast and Stable Performance

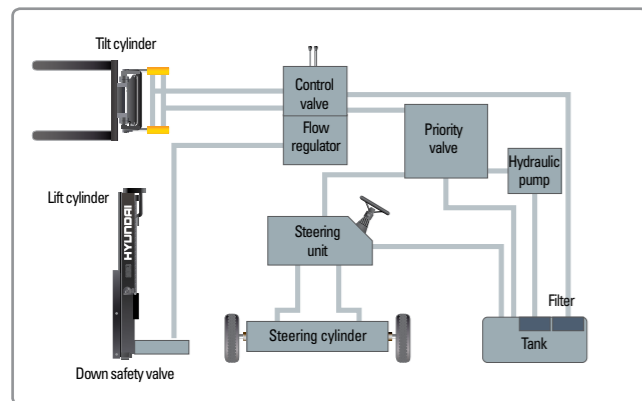
Being able to quickly raise and lower the mast, as well as tilt it forward and backward, provides the best operational conditions during unloading.

When the truck is fully loaded, mast lowering speed is carefully controlled to ensure safety by the down control valve .

Mast, Lift and Tilt Lock System. (Option)



Some of the photos may include optional equipment.



State-of-the-art Hydraulic System

The latest large-capacity hydraulic system reacts quickly during operation, and a low-noise control valve increases both efficiency and durability.



Fully Hydrostatic Power Steering

A hydraulic steering system always guarantees smooth and flexible steering, preventing overrun and kick-back.



Increased Mast Tilting Angle

Utilizing the mast tilting angle of 6 degrees forward and 10 degrees backward, the operator can safely and rapidly perform loading and unloading jobs.

Faster Travel Speed & Better Gradability

The powerful high-output engine provides greater acceleration, better gradability and faster travel speed on any tough terrains or slopes.



Gradability(Loaded)

25LC-7A/25GC-7A : 22.4°
30LC-7A/30GC-7A : 18.9°

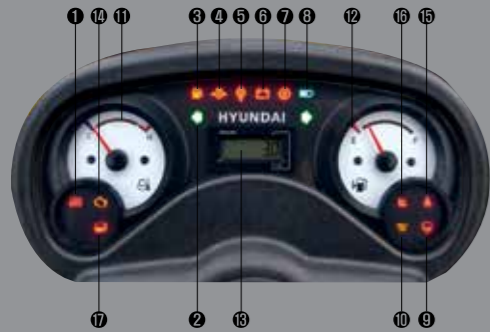
Travel Speed(Unloaded)

25LC-7A/25GC-7A : 16.0km/h
30LC-7A/30GC-7A : 16.0km/h

Ergonomic operator friendly compartment design!

A design based on human engineering relieves fatigue and increases operator's efficiency.

Operator Friendly Gauges and Water-resistant Monitor Panel



- ① Parking brake lamp
- ② Directional indicators
- ③ Fuel warning lamp
- ④ Engine oil warning lamp
- ⑤ Transmission oil temperature warning lamp
- ⑥ Battery charging warning lamp
- ⑦ Air cleaner filter warning light
- ⑧ Working light indicator
- ⑨ Water separator lamp
- ⑩ Pre-heater indicator
- ⑪ Water temperature gauge
- ⑫ Fuel gauge
- ⑬ Hour meter
- ⑭ Engine check lamp
- ⑮ Seat belt warning
- ⑯ OPS warning
- ⑰ Brake oil warning lamp

Grammer Seat (Option)



- Quick Achievement of the Ergonomically Best Sitting Position
- Asymmetrical Backrest
- Movable Armrests
- Seat Heating
- Practical Document Box



New High Visibility for Safe Operation

The operator is able to work with increased safety and accuracy due to a wider view mast.



Travel Speed Control System (Option)



- ← In-Door : Max. Travel Speed 15 ~ 17 km/h
- ← Out Door : Max. Travel Speed : Max. Vehicle Speed

Some of the photos may include optional equipment.



Ergonomically Positioned Pedals

Based on human engineering, the accelerator, brake and inching pedals are optimally positioned for convenience while operating the equipment.



Cup Holder & Console Box

Additional storage spaces are located inside the operating space for operator's convenience.



Quick Response of Operating Control Levers

Only minimal operator's effort is required for precise, safe and productive control.



Adjustable Steering Wheel

Steering wheel with horn button can be adjusted by a lever on the right-hand side for the most comfortable operator position.



Easy and Safe Shift Lever

A single lever on the left side of the steering column gives the operator fast, easy control of direction. The lever must be in the neutral position before the engine can be started.



Secondary Horn

Secondary Horn gives access to lights and horn

Danger-free through high durability!

Safety and durability are priorities in design of the equipment.



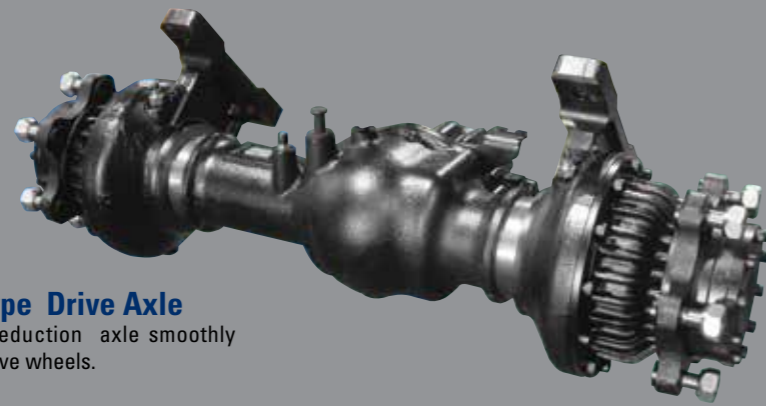
Strong Overhead Guard

The safety overhead guard meets ISO 6055 regulation and protects the operator during hazardous jobs.



Parking Brake

Ratchet type parking brake requires less effort from the operator to set.



Highly Durable Split Type Drive Axle

The bevel gear set and hub reduction axle smoothly delivers desired torque to the drive wheels.



Some of the photos may include optional equipment.



Large Footboard & Hand Grip

Wide "open" step offers convenience and safety when entering and exiting truck.



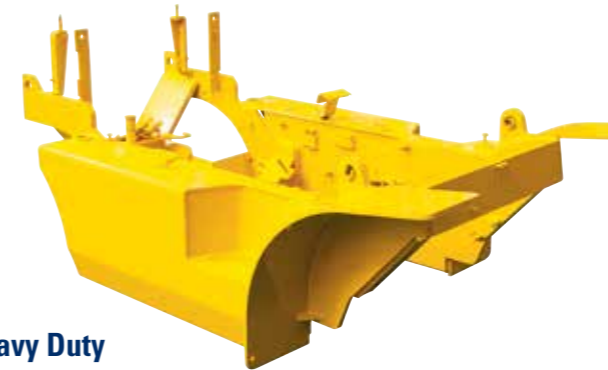
Expansion Bellows

The expansion bellows absorbs vibration and reduces noise generated from the exhaust system and also extends the life cycle of exhaust system.



Electrically Monitored Air Filter

Air cleaner sensor alerts the operator of a restricted air filter and allows replacement before damage.



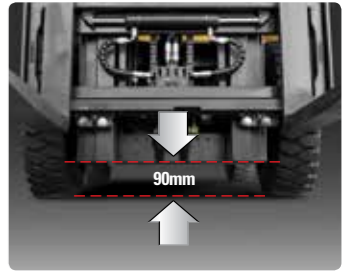
Heavy Duty Single Unit Frame

Heavy duty single unit type frame, designed on the basis of accurate structural analysis, guarantees durability and safety.



Bright, Protected Headlights

Bright, Protected head lights are positioned for exceptional visibility.



Ground Clearance

The engine and transmission are assembled horizontally and positioned high in the frame to protect major components during operation on rugged surface.

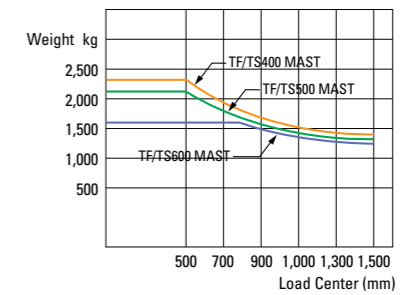
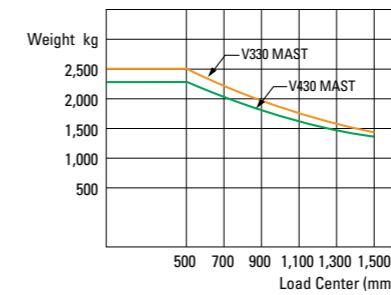
Mast Specification-30LC-7A / 30GC-7A

Mast Type	Maximum Fork Height		Overall Height Lowered		Tilt Angle		FREE LIFT						Load capacity w/o integral side shift		Load capacity w/integral side shift		TRUCK WEIGHT UNLOAD		
							with backrest		w/o backrest		w/o backrest (3/4-SPOOL)		Single Tire		Single Tire				
	in	mm	in	mm	Fwd	Bwd	in	mm	in	mm	in	mm	24 in LC	500mm LC	24 in LC	500mm LC	Single Tire		
	deg	deg	deg	deg	deg	deg	deg	deg	deg	deg	deg	deg	deg	deg	deg	deg	deg	lb	kg
2-STAGE LIMITED FREE LIFT	V209	82.3	2,090	60.2	1,530	10	6	4.5	115	4.5	115	4.5	115	6,000	3,000	6,000	3,000	9,149	4,150
	V300	118.1	3,000	78.1	1,985	6	10							6,000	3,000	6,000	3,000	9,593	4,221
	*V330	129.9	3,300	84.0	2,135	6	10							6,000	3,000	6,000	3,000	9,637	4,242
	V350	137.8	3,500	87.9	2,235	6	10							6,000	3,000	6,000	3,000	9,668	4,260
	V370	145.7	3,700	93.9	2,385	6	10							6,000	3,000	6,000	3,000	9,715	4,284
	V400	157.4	4,000	99.8	2,535	6	10							6,000	3,000	6,000	2,975	9,761	4,316
	V430	169.3	4,300	105.7	2,685	6	10							6,000	2,950	5,890	2,900	9,808	4,363
	V450	177.2	4,500	111.6	2,835	6	5							5,890	2,900	5,840	2,850	9,854	4,393
	V470	185.0	4,700	115.5	2,935	6	5							5,840	2,850	5,730	2,800	9,885	4,408
V500	196.9	5,000	121.4	3,085	6	5	5,730	2,800	5,620	2,750	9,932	4,432							
3-STAGE FULL FREE LIFT	TF370	145.7	3,700	70.3	1,785	6	5	23.8	605	43.9	1,114	43.7	1,071	6,000	2,950	5,950	2,900	9,932	4,353
	TF400	157.4	4,000	74.2	1,885	6	5	27.8	705	47.8	1,214	47.8	1,171	5,890	2,900	5,780	2,850	9,980	4,395
	TF430	169.3	4,300	78.2	1,985	6	5	31.7	805	51.7	1,314	51.9	1,271	5,780	2,825	5,670	2,800	10,010	4,417
	TF450	177.2	4,500	82.1	2,085	6	5	35.6	905	55.7	1,414	57.7	1,414	5,670	2,800	5,620	2,750	10,051	4,442
	TF470	185.0	4,700	84.1	2,135	6	5	37.6	955	57.6	1,464	58.0	1,421	5,620	2,750	5,560	2,725	10,078	4,457
	TF500	196.9	5,000	87.9	2,235	6	5	41.5	1,055	61.6	1,564	62.1	1,521	5,510	2,700	5,450	2,650	10,127	4,480
	TF550	216.5	5,500	95.9	2,435	6	5	49.4	1,255	65.0	1,651	72.0	1,764	5,340	2,600	5,230	2,575	10,211	4,523
	TF600	236.2	6,000	103.7	2,635	6	5	57.3	1,455	72.9	1,851	80.2	1,964	3,850	1,750	3,850	1,750	10,345	4,593
	TS370	145.7	3,700	70.3	1,785	6	5	23.8	605	43.9	1,114	40.6	995	6,000	2,950	5,950	2,900	9,932	4,353
	TS400	157.4	4,000	74.2	1,885	6	5	27.8	705	47.8	1,214	44.7	1,095	5,890	2,900	5,780	2,850	9,980	4,395
	TS430	169.3	4,300	78.2	1,985	6	5	31.7	805	51.7	1,314	48.8	1,195	5,780	2,825	5,670	2,800	10,010	4,417
	TS450	177.2	4,500	82.1	2,085	6	5	35.6	905	55.7	1,414	54.9	1,345	5,670	2,800	5,620	2,750	10,051	4,442
TS470	185.0	4,700	84.1	2,135	6	5	37.6	955	57.6	1,464	54.9	1,345	5,620	2,750	5,560	2,725	10,078	4,457	
TS500	196.9	5,000	87.9	2,235	6	5	41.5	1,055	61.6	1,564	59.0	1,445	5,510	2,700	5,450	2,650	10,127	4,480	
TS550	216.5	5,500	95.9	2,435	6	5	49.4	1,255	62.0	1,575	69.2	1,695	5,340	2,600	5,230	2,575	10,211	4,523	
TS600	236.2	6,000	103.7	2,635	6	5	57.3	1,455	69.9	1,775	77.3	1,895	3,850	1,750	3,850	1,750	10,345	4,593	
4-STAGE FULL FREE LIFT	QF610	240.7	6,115	83.5	2,120	3	3	37.0	940	57.0	1,449	59.1	1,449	3,680	1,760	3,480	1,690	10,470	4,749
	QF660	260.4	6,615	91.3	2,320	3	3	44.9	1,140	64.9	1,649	67.3	1,649	3,480	1,670	3,280	1,590	10,600	4,808
	QF700	276.2	7,015	95.3	2,420	3	3	48.8	1,240	68.9	1,749	71.4	1,749	3,060	1,470	2,910	1,400	10,668	4,839
	QF745	293.9	7,465	101.2	2,570	3	3	54.7	1,390	74.8	1,899	71.9	1,762	2,470	1,170	2,290	1,100	10,769	4,885
	QF790	311.6	7,915	107.1	2,720	3	3	60.6	1,540	75.4	1,915	71.9	1,762	1,520	720	1,410	670	10,990	4,985

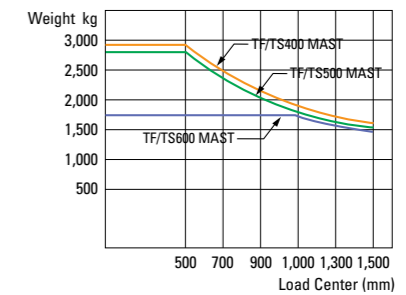
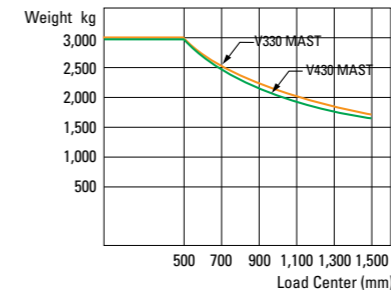
* TS-Mast : Wide Visible 3 Stage Full Free Lift Mast with 2 Free Lift Cylinders.

Load Capacity

25LC-7A
25GC-7A



30LC-7A
30GC-7A



Optional Items

- **SIDE SHIFT**
- **INTEGRAL SIDE SHIFT**
- **FORK(mm)** : 889, 991, 1194, 1346, 1499, 1651, 1803
- **OVER SHOE(mm)** : 1295, 1499, 1702, 1803
- **TILTING** : 6/5°, 3/3°, 10/6°(Better Tilts)
- **TIRE** : Cushion, No-marking
- **SEAT** : Pocket, Arm Rest, Hip Rest
- **LPG CLAMP** : Swing Out, Swing Down
- **M.C.V** : 4-Spool
- **OPSS** : Travel + mast
- **ATTACH PIPING** : 3 Spool-piping, 4 Spool-piping
- **MASTER SWITCH**
- **BEACON LAMP**
- **HAZARD SWITCH**
- **WORK LAMP**
- **SPEED CONTROL SENSOR**



MEMO