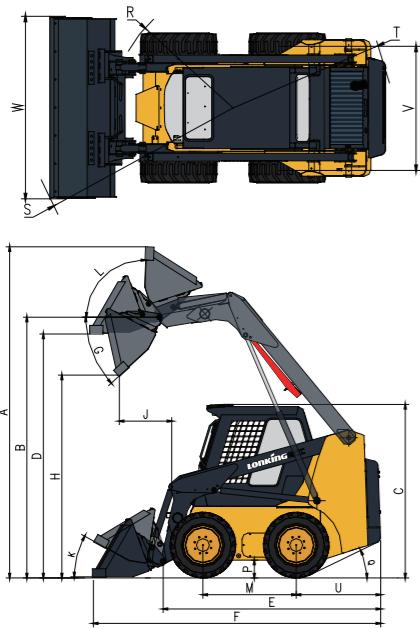


DIMENSIONS

All Dimensions are Approximate. Dimensions May Vary with Bucket. Refer to Operating Specifications.



NO.	SPECIFICATION	UNIT	CDM307
A	Max.Operation Height	mm	3850
B	Bucket Pin Height	mm	2920
C	Cab Roof Height	mm	2000
D	Max.Height at Bucket Leveled	mm	2730
E	Length without Attachment	mm	2420
F	Length with Standard Bucket	mm	3320
H	Dumping Height	mm	2180
J	Reach Rollback	mm	790
M	Wheelbase	mm	1050
P	Ground Clearance	mm	210
R	Front Turning Radius without Attachment	mm	1200
S	Front Turning Radius	mm	2060
T	Rear Turning Radius	mm	1520
U	Tail Length	mm	960
V	Center Distance between Two Wheels	mm	1240
W	Bucket Width	mm	1530
G	Dumping Angle at Max.Height	°	39
K	Bucket Angle on Ground	°	28
L	Bucket Rollback Angle At Max.Height	°	94
Q	Start Angle	°	27

MACHINE MODEL	UNIT	CDM307 I	CDM307 II	CDM307III
MAIN SPECIFICATION				
Engine Model		KUBOTA V2403-M-T-E3B	XINCHAI A498BT1-75	PERKINS A404D-22
Emission Standard		EuroIIIA	EuroIIIA	EuroIIIA
Rated Power	kW/rpm	42/2600	36.8/2500	35.7/3000
Operating Weight	kg	2700	2800	2700
Rated Payload	kg	752	760	752
Bucket Capacity	m³	0.43	0.43	0.43
L×W×H	mm	3320×1530×2000	3320×1530×2000	3320×1530×2000
ENGINE SYSTEM				
Engine Model		KUBOTA V2403-M-T-E3B	XINCHAI A498BT1-75	PERKINS A404D-22
Rated Power	kW/hp/rpm	42/56/2600	36.8/50/2500	35.7/48/3000
Displacement	L	2.434	3.168	3.36
Stroke	mm	87	98	84
Bore	mm	102.4	105	100
WEIGHTS				
Operating Weight	kg	2700	2800	2700
POWER TRAIN				
Travel Speed -F&R	km/h	11.5	11.5	11.5
TIRE				
Tyre		10×16.5	10×16.5	10×16.5
HYDRAULIC SYSTEM				
Hydraulic Flow – Standard	L/min/rpm	74	74	74
Loader Hydraulic Pressure	MPa	21	21	21
Hydraulic Flow – High Flow	L/min/rpm	110	–	–
Loader Hydraulic Pressure	MPa	19	–	–
OPERATING SPEC				
Rated Payload	kg	752	760	752
Tipping Load	kg	1504	1520	1504
Breakout Force	kN	20.3	20.3	20.3
Traction Force	kN	18.9	18.1	18.9
SERVICE REFILL CAPACITY				
Chain Box, Each Side	L	9	9	9
Cooling System	L	12	12	12
Engine Crankcase	L	8	8	8
Fuel Tank	L	83	83	83
Hydraulic Tank	L	65	65	65

LONKING 龙工

Efficiency Rules the Future

CDM307 SKID STEER LOADER

- Famous Engine
- Import Hydraulic System
- Integral Instrument Panel
- AC Cabin
- Worldwide Universal Quick-change Connector
- Various Attachments as Optional



	CDM307- I	CDM307- II	CDM307-III
ENGINE MODEL:	KUBOTA V2403-M-T-E3B	XINCHAI A498BT1-75	PERKINS A404D-22
RATED POWER(kW/rpm):	42/2600	36.8/2500	35.7/3000
OPERATING WEIGHT(kg):	2700	2800	2700
RATED PAYLOAD(kg):	752	760	752
BUCKET CAPACITY(m³):	0.43	0.43	0.43

LONKING (FU JIAN) INTERNATIONAL TRADE CO.,LTD.
LONKING HOLDINGS LIMITED
 Add:26 Minyi Road,Xinqiao,Songjiang Industrial Zone,Shanghai
 P.C: 201612
 Tel: +86-21-3760 2200-5657
<http://www.lonkinggroup.com>
 E-mail:export@lonking.cn

For more information on Lonking products,
 Please contact our local agent:



Specifications and design are subject to change without prior notice.
 Machines shown may not include optional accessories.