

CONFIGURATION

Hydraulic Gearbox	Tilting Cylinder Latching Valve
Electric Reversing	Combination Instrument
Overhead Guard	Working Hour Meter
Top Rain Shelter	Oil Content Meter
Pedal Rubber	Water-thermometer
Semi-suspension Seat	Charging Indicator
Wide Field Mast (2 Stage)	Neutral Position Switch
Fork Carriage	Oil Pressure Warning
Backrest	Electric Horn
Standard Forks	LED Signal Lamp
Adjustable Steering Column	Reversing Buzzer
Lifting and Tilting Joysticks	Backup Mirror
Two Piece Multiplex Valve	Traction Pin
Full-hydraulic Power Steering	Tool Box

OPTIONAL

Mechanical Gearbox	Fire Extinguishing Muffler
Mechanical Reversing	Driving OPS
Solid Tires	Full Set OPS (Including drive and lift)
Cabin	Full Set LED Lamps
Working Warning Light	Reversing Voice Horn
Suspension Seat	Overspeed Alarm, 10km/h
Cold A/C	Electric Fan
Warm-air Blower	Sound-light Alarm
Front Windscreen	Rear Working Lamp
High Level Exhaust	Lengthen Fork Jacket
Double Air Filter(S4S NA)	Tilting Cylinder Sleeve
Oil Bath Air Filter	Steering Cylinder Sleeve
Widen Fork Frame	Custom Colors
Multiple Work Attachments	

PRODUCT FEATURES

Attractive Appearance
Smooth and novel styling, balance weight with car design elements, strong personality, dynamic.

Lowering Energy Consumption
Optimized design of load sensing hydraulic system reduces vehicle fuel consumption Effectively.

Operating Comfort
Adopted interactive ergonomic design to improve operating comfort. Equipped with wide field of view mast to improve driver's field of view.

Sensitive and Stable
Integral steering device, more sensitive directivity, smooth operation, more stable quality.

Convenient Maintenance
Interior space of car body is more spacious Parts Positions are more reasonable. Maintainability of machine is better.

Safety and Reliable
High-strength integral hood and one-body impact molding overhead guard.

The following blank can be used for notes or comments.

**For more information on Lonking products,
Please contact our local agent:**

Lonking, Lonking LG Series and their respective logos, as well as corporate identity in this leaflet are trademarks of Lonking Holdings Ltd., and may not be used without written permission.
2020/04

Specifications and design are subject to change without prior notice.
Machines shown may not include optional accessories.

LONGKING 龙工

LG20/25/30/35DT III BALANCEWEIGHT TYPE FORKLIFT TRUCK WITH ENGINE Efficiency Rules the Future



LONGKING (FU JIAN) INTERNATIONAL TRADE CO., LTD.

LONGKING HOLDINGS LIMITED

Add: 26 Minyi Road, Xinqiao, Songjiang Industrial Zone, Shanghai

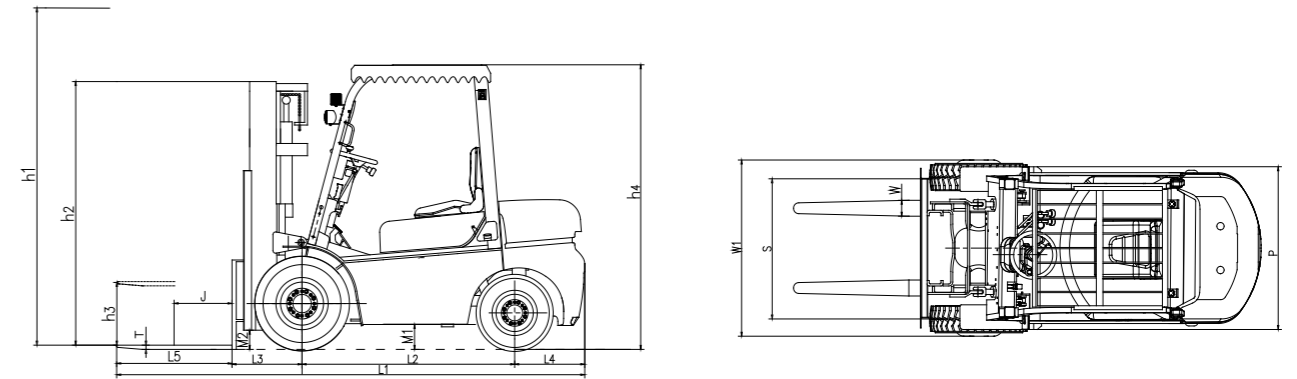
Tel: +86-21-3760 2242 E-mail: export@lonking.cn

<http://www.lonkinggroup.com>

	LG20DTIII	LG25DTIII	LG30DTIII	LG35DTIII
Rated Capacity (kg)	2000	2500	3000	3500
Load Center (mm)	500	500	500	500
Power Type	Diesel	Diesel	Diesel	Diesel

OVERALL SPECIFICATIONS

Type	No.	Item	Code	Unit	Data			
Identification	1.01	Manufacturer			LONKING			
	1.02	Model			LG20DTIII	LG25DTIII	LG30DTIII	LG35DTIII
	1.03	Power type			Diesel			
	1.04	Rated capacity	Q	kg	2000	2500	3000	3500
	1.05	Load center	J	mm	500	500	500	500
Dimensions	2.01	STD Max height (with backrest)		mm	3965	3965	4210	4237
	2.02	STD Max lifting height	h1	mm	3000	3000	3000	3000
	2.03	Overhead guard height	h4	mm	2130	2130	2150	2150
	2.04	Overall length (with fork)	L1	mm	3670	3670	3850	3898
	2.05	Wheelbase	L2	mm	1650	1650	1750	1750
	2.06	Front overhang	L3	mm	448	448	487	498
	2.07	Rear overhang	L4	mm	500	500	550	580
	2.08	Min.ground clearance (Frame/Mast)	m1/m2	mm	160/135	160/135	165/132	165/132
	2.09	Overall width	W1	mm	1165	1165	1250	1250
	2.10	Adjusting range of fork (outside)		mm	240-1040	240-1040	255-1055	255-1055
	2.11	STD Fork size (L5*W*T)		mm	1070×120×40	1070×125×45	1070×125×50	
	2.12	Front wheel tread	S	mm	970	970	1030	1030
	2.13	Rear wheel tread	P	mm	980	980	980	980
	2.14	Min.turning radius	R1	mm	2300	2300	2520	2530
	2.15	Min aisle width for pallet 1000×1200,crossways		mm	3950	3950	4200	4225
	2.16	Min aisle width for pallet 800×1200,lengthways		mm	4148	4148	4407	4428
Tires	3.01	Wheels number, front/rear (X=driven wheels)			X=2/2			
	3.02	Tires type			Pneumatic			
	3.03	Tires size, front			7.00-12-12PR	28×9-15-14PR		
	3.04	Tires size, rear			6.00-9-10PR	6.50-10-10PR		
Other Details	4.01	Max.traveling speed, loaded/unloaded		km/h	18.5/20	18.5/20	18.5/20	18.5/20
	4.02	Max.lifting speed, loaded/unloaded		mm/s	480/510	480/510	450/485	450/485
	4.03	Lowering speed, loaded/unloaded		mm/s	Loaded≤ 600/Unloaded≥ 300			
	4.04	Max.gradient, loaded/unloaded		%	20	20	20	20
	4.05	STD operating weight (with oil & water)		kg	3250	3600	4160	4630
	4.06	Axles loading,front/rear (loaded)		kg	4725/525	5490/610	6520/640	7265/865
	4.07	Axles loading,front/rear (unloaded)		kg	1300/1950	1440/2160	1680/2480	1760/2870
	4.08	Service brake			Mechanical/Power brake-pedal			
	4.09	Parking brake			Mechanical-hand brake lever			
	4.10	Drive type			Mechanical/Automatic			
	4.11	Fuel tank capacity		L	50	50	60	60
	4.12	Battery votage/capacity		V/Ah	12/80			



MAST SPECIFICATIONS

Mast Model	h1 Max Lifting Height(mm)	Load Capacity (J=500mm) (kg)				h2 Lowered Mast Height (mm)			h3 Free Lifting Height, without backrest (mm)			Mast tilt α/β (°)
		2T	2.5T	3T	3.5T	2-2.5T	3T	3.5T	2-2.5T	3T	3.5T	
M200	2000	2000	2500	3000	3500	1635	1632	1680	110	125	170	6/12
M225	2250	2000	2500	3000	3500	1885	1882	1930	110	125	170	6/12
M250	2500	/	/	/	3500	/	/	2030	110	/	170	6/12
M275	2750	2000	2500	3000	/	2010	2007	/	/	125	/	6/12
M300	3000	2000	2500	3000	3500	2135	2132	2180	110	125	170	6/12
M330	3300	2000	2500	3000	3500	2285	2282	2330	110	125	170	6/12
M350	3500	2000	2500	3000	3500	2385	2382	2430	110	125	170	6/12
M370	3700	/	/	/	3500	/	/	2530	110	/	170	6/12
M375	3750	2000	2500	3000	/	2510	2507	/	/	125	/	6/6
M400	4000	2000	2500	2950	3200*3400	2685	2682	2730	110	125	170	6/6
M425	4250	1850*2000	2250*2500	2850*3000	3100*3300	2810	2807	2855	110	125	170	6/6
M450	4500	1600*1900	2100*2400	2600*2800	2900*3100	2935	2932	2980	110	125	170	6/6
M475	4750	1400*1800	1900*2200	/	2700*2900	3060	/	3105	110	/	170	6/6
M500	5000	1300*1700	1600*1900	2100*2400	2400*2750	3185	3182	3230	110	125	170	6/6
M550	5500	1200*1500	1200*1700	2000*2400	2200*2400	3485	3482	3530	110	125	170	3/6
M600	6000	1000*1300	900*1400	1500*2000	*2200	3735	3732	3780	110	125	170	3/6

Note:*** means capacity of double front wheels.

Mast Model	h1 Max Lifting Height(mm)	Load Capacity (J=500mm) (kg)				h2 Lowered Mast Height (mm)			h3 Free Lifting Height, without backrest (mm)			Mast tilt α/β (°)
		2T	2.5T	3T	3.5T	2-2.5T	3T	3.5T	2-2.5T	3T	3.5T	
ZM200	2000	2000	2500	3000	3500	1550	1632	1680	990	1051	965	6/12
ZM250	2500	2000	2500	3000	3500	1805	1882	1930	1240	1301	1215	6/12
ZM270	2700	/	/	/	3500	/	/	2030	/	/	1315	6/12
ZM275	2750	2000	2500	3000	/	1905	2007	/	1365	1426	/	6/12
ZM300	3000	2000	2500	3000	3500	2055	2132	2180	1490	1551	1465	6/12
ZM330	3300	2000	2500	3000	3500	2205	2282	2330	1640	1701	1615	6/12
ZM350	3500	2000	2500	3000	3500	2305	2382	2430	1740	1801	1715	6/12
ZM370	3700	/	/	/	3500	/	/	2530	/	/	1815	6/12
ZM375	3750	2000	2500	3000	/	2430	2507	/	1865	1926	/	6/6
ZM400	4000	2000	2500	2850	3250*3500	2605	2682	2730	2040	2101	2015	6/6
ZM425	4250	1800*1900	2300*2400	/	/	/	/	/	/	/	/	6/6
ZM450	4500	1600*1900	2100*2400	2600*2800	2900*3100	2855	2932	2980	2290	2351	2265	6/6

Note:*** means capacity of double front wheels.2-2.5T free lifting height reduces 293mm with backrest.3T free lifting height reduces 594mm with backrest.3.5T free lifting height reduces 454mm with backrest.

ENGINE OPTIONAL

Engine Model	Emission	Manufacturer	Rated Power	Max.Torque	Bore/Cylinders Number/Displacement	Fuel Consumption	Applicable
C490BPG-47	Euro III A	XINCHAI	36.8(36.7)kW/2650rpm	156N.m/1800rpm	90mm/4/2.67L	230g/kW.h	2-3T
C240	CHN III /Euro III A	ISUZU	35.4kW/2500rpm	139.2N.m/1800rpm	86mm/4/2.369L	292g/kW.h	2-3T
C490BPG-225	CHN II	XINCHAI	36.8(36.7)kW/2650rpm	156N.m/1800rpm	90mm/4/2.67L	230g/kW.h	2/2.5T
A498BT1-58	Euro III A	XINCHAI	36.8(36.7)kW/2400rpm	180N.m/1800rpm	98mm/4/3.17L	230g/kW.h	3/3.5T
S4S-474	Euro III A	MITSUBISHI	35.3kW/2300rpm	177N.m/1800rpm	120mm/4/3.331L	225g/kW.h	3/3.5T
4JG2	Euro II	ISUZU	46kW/2450rpm	186N.m/1700rpm	95mm/4/3.059L	265g/kW.h	3/3.5T

Mast Model	h1 Max Lifting Height(mm)	Load Capacity (J=500mm) (kg)				h2 Lowered Mast Height (mm)			h3 Free Lifting Height, without backrest (mm)			Mast tilt α/β (°)
		2T	2.5T	3T	3.5T	2-2.5T	3T	3.5T	2-2.5T	3T	3.5T	
ZSM360	3600	1900	2400	2900	3300	1885	1827	1862	1243	1254	1155	6/6
ZSM400	4000	1800*1900	2300	2800	3300	1930	1952	1987	1368	1379	1280	6/6
ZSM435	4350	1750*1900	2200*2400	2700*2900	2900*3100	2055	2077	2112	1493	1504	1405	6/6
ZSM450	4500	1600*1800	2000*2300	2500*2700	2800*3000	2118	2140	2175	1556	1567	1470	6/6
ZSM470	4700	1300*1700	1800*2100	2350*2550	2600*2800	2183	2205	2240	1621	1632	1535	6/6
ZSM480	4800	1250*1700	1700*2000	2250*2450	2500*2750	2205	2227	2262	1643	1654	1555	6/6
ZSM500	5000	1100*1600	1500*1800	2100*2300	2300*2600	2305	2327	2362	1743	1754	1655	6/6
ZSM540	5400	900*1400	1200*1600	1650*2100	1800*2300	2430	2452	2487	1868	1879	1780	3/6
ZSM550	5500	/	/	1500*2000	1700*2200	/	2492	2527	/	1919	1820	3/6
ZSM600	6000	600*1100	800*1300	1200*1800	1300*2000	2655	2677	2712	2093	2104	2005	3/6
ZSM650	6500	400*800	600*1000	900*1500	1000*1600	2870	2892	2927	2308	2319	2220	3/3

Note:*** means capacity of double front wheels.2-2.5T free lifting height reduces 293mm with backrest.3T free lifting height reduces 602mm with backrest.3.5T free lifting height reduces 466mm with backrest.